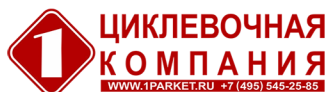
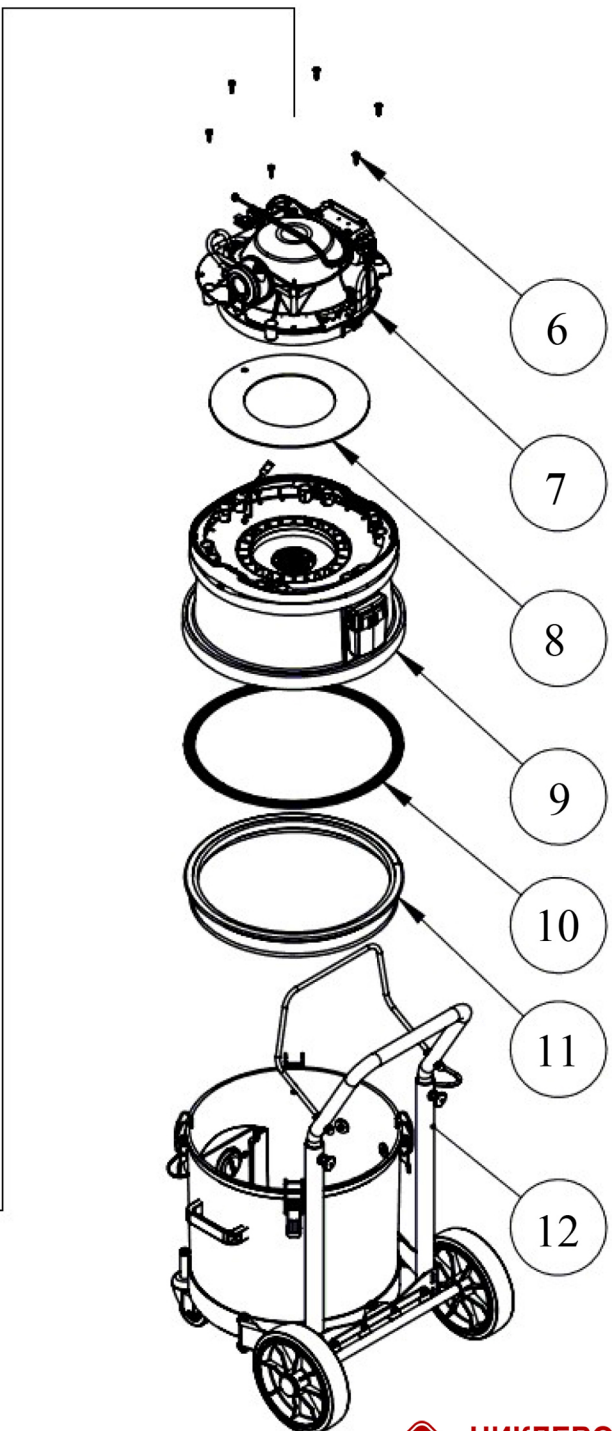
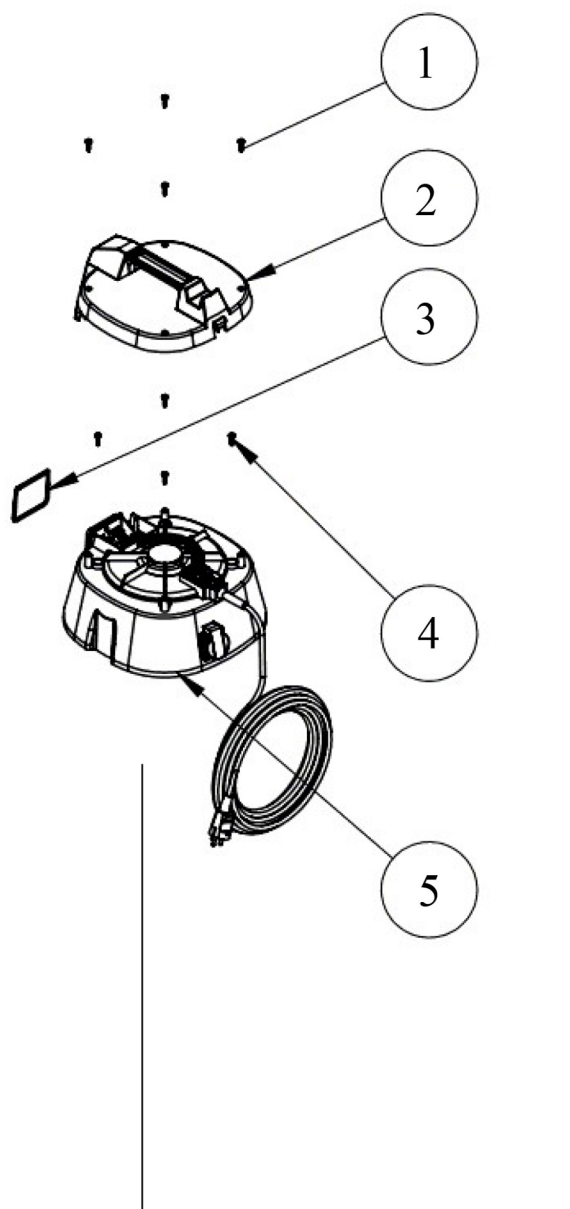


Bona®

BONA DCS25



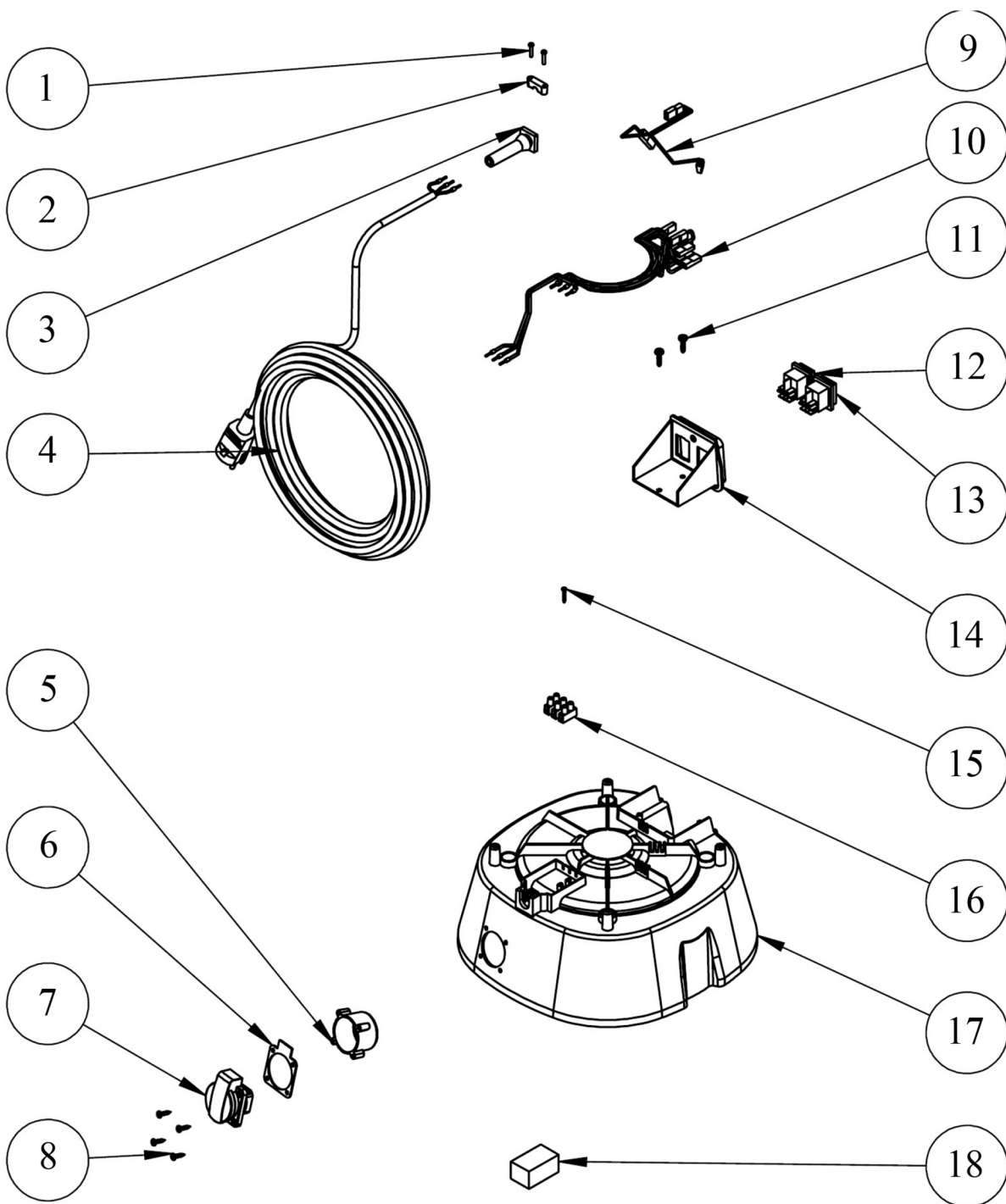


BONA AB

Assembly diagram

BONA DCS25

Pos.	DESCRIPTION	QTY	VARE/ITEM No.
1	Plastitescrew 5 x 20mm	4	
2	Top handle	1	
3	Gasket	1	
4	Plastitescrew 5 x 20mm	4	
5	See: Power Head Top	-	
6	Plastitescrew 5 x 20mm	6	
7	See: Power Head Lower part	-	
8	Gasket	1	
9	See: Filter/motor base	-	
10	Gasket	1	
11	Membrane filter	1	
12	See: Container base	-	



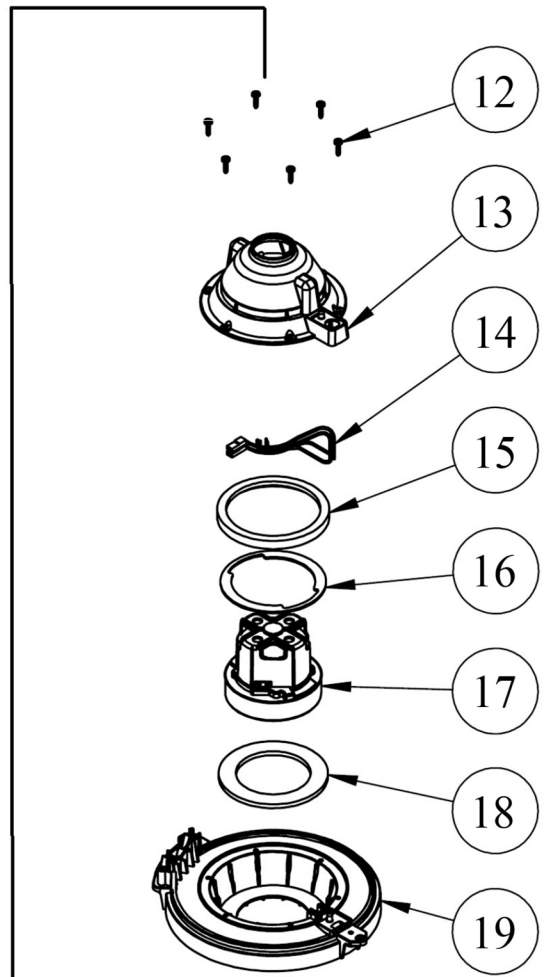
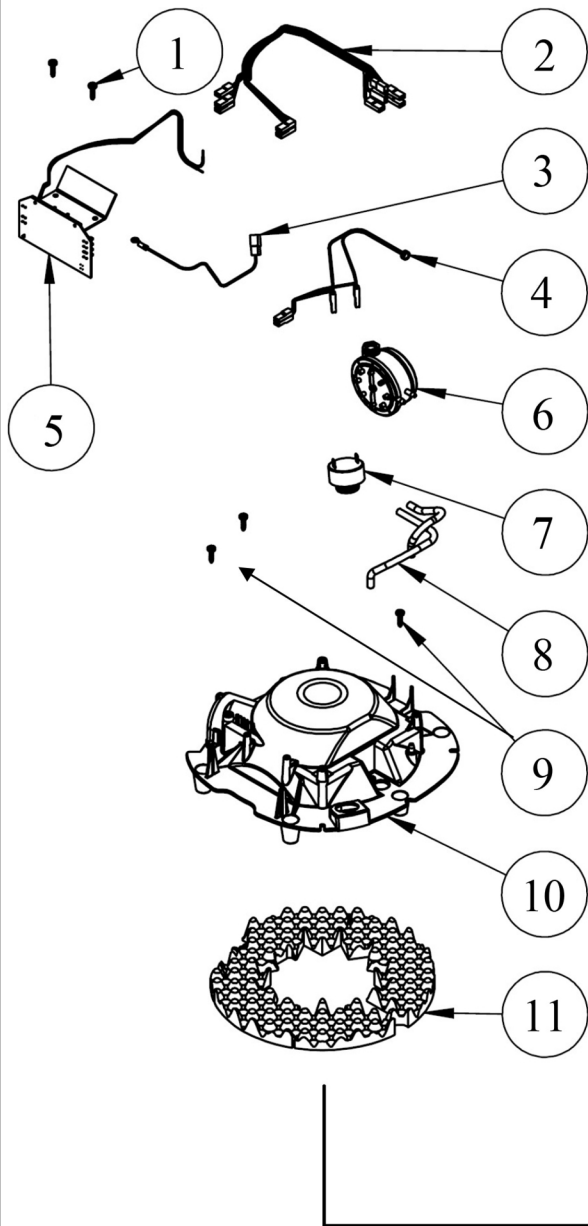
BONA AB**Spare parts: Power Head Top****BONA DCS25**

Pos.	DESCRIPTION	QTY	VARE/ITEM No.
1	Machine screw M3x16mm	2	
2	Cable clamp	1	
3	Cable entry	1	
4	Mains cord Schuko plug, 8.00 m	1	
5	Collector ring	1	
6	Seal / Gasket	1	
7	Power Socket – Schuko	1	
8	Tapping screw M4.2 x 19	4	
9	Y-split - earthing	1	
10	Wire set	1	
11	Plastitescrew 5 x 20mm	2	
12	Switch	1	
13	Switch red light	1	
14		1	
15	Plastitescrew 2.9 x 19	1	
16	Terminal block/3	1	
17	Black Power Head top	1	
18	Foam Block	1	

BONA AB

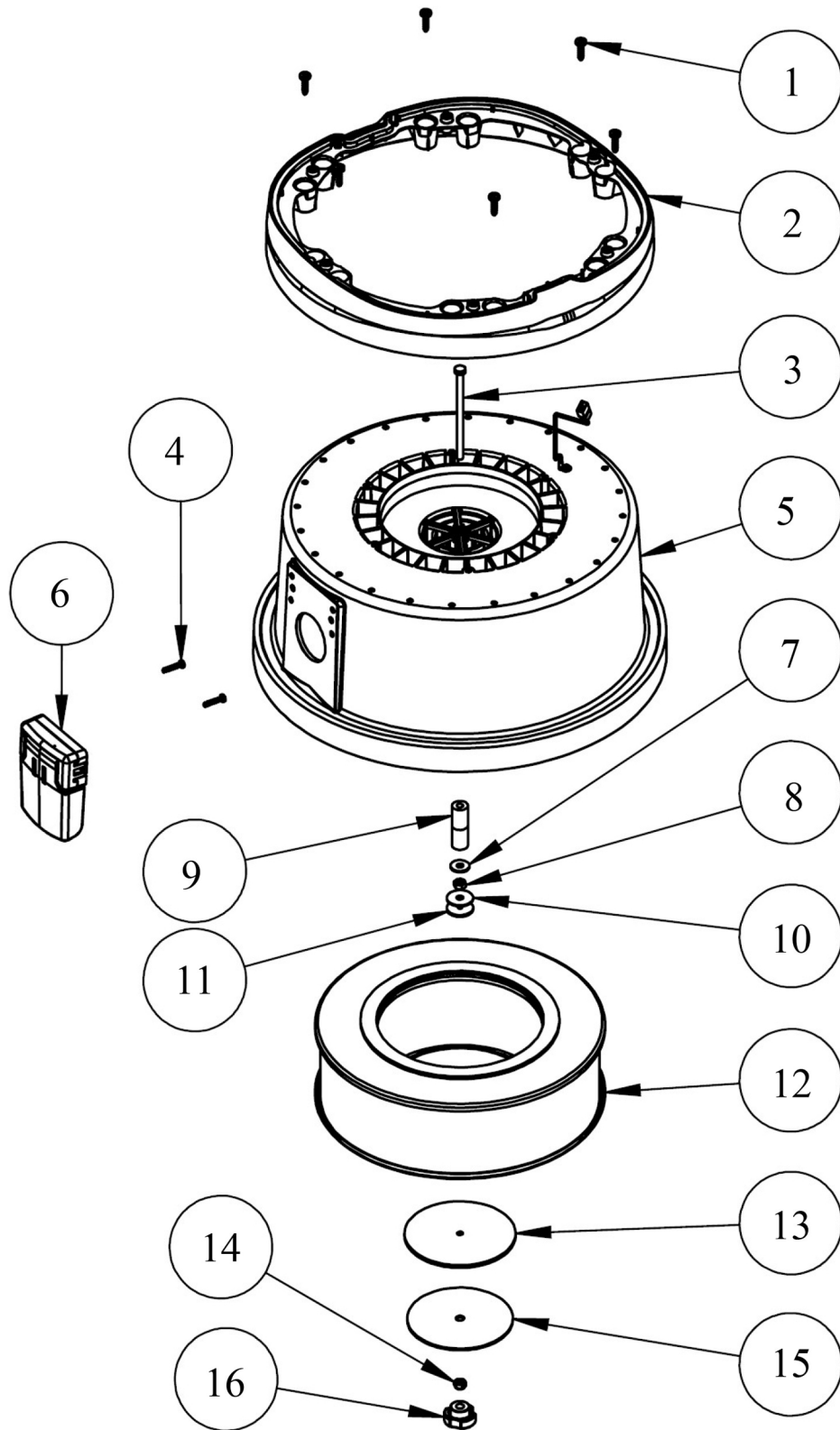
Spare parts: Power Head Lower part

BONA DCS25



BONA AB**Spare parts: Power Head Lower part****BONA DCS25**

Pos.	DESCRIPTION	QTY.	VARE/ITEM No.
1	Plastitescrew 5 x 20mm	2	
2	Wire set	1	
3	Earthing wire	1	
4	Wire for buzzer with LED	1	
5	Electronics	1	
6	Pressure switch	1	
7	Buzzer	1	
8	Silicone hoses	1	
9	Plastitescrew 5 x 20mm	3	
10	Air guide plate	1	
11	Muffler foam	1	
12	Plastitescrew 5 x 20mm	6	
13	Air blind hood	1	
14	Motorwire	2	
15	Gasket	1	
16	Restrainer ring	1	
17	Motor 1450W	1	
18	Lower Gasket	1	
19	Motor mounting plate	1	



BONA AB

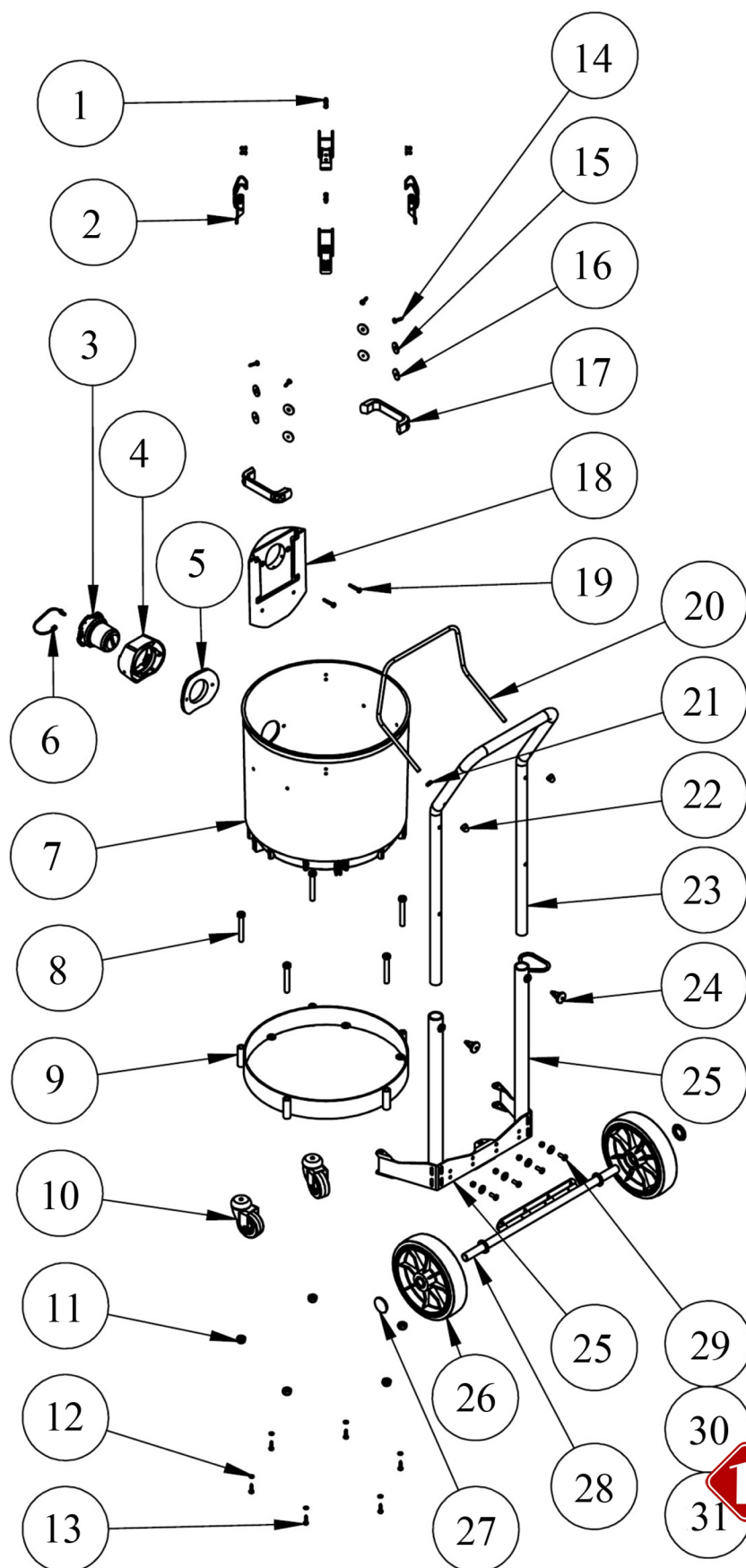
Spare Parts: Filter/motor base

BONA DCS25

Pos.	DESCRIPTION	QTY.	VARE/ITEM No.
1	Plastitescrew 5 x 20mm	6	
2	Air guide ring	1	
3	Hexagon bolt M6x100mm	1	
4	Plastite screw 4.2 x 24mm SP	2	
5	Adapterring, compl.	1	
6	Chok Valve	1	
7	Stainless washer 18x6,4x1,6	1	
8	M6 Nut	1	
9	Distance piece, D.15/d.6mm x 30mm, flat	2	
10	M6 washer D.24 x 1mm	1	
11	Seal / Gasket D.25	1	
12	HEPA-filter	1	
13	Gasket	1	
14	M6 Nut	1	
15	Washer Ø100	1	
16	Fingerscrew	1	

**ЦИКЛЕВОЧНАЯ
КОМПАНИЯ**
WWW.1PARKET.RU +7 (495) 545-29-85

11.09.2017



BONA AB**Spare Parts: Container base****BONA DCS25**

Pos.	DESCRIPTION	QTY.	VARE/ITEM No.
1	Rivet 4,8x14,5 blind	1	
2	Toggle latch - steel	4	
3	Stop-Plug for inlet	1	
4	Bajonet coupling	1	
5	Gasket	1	
6	Plastic ties	3	
7	Container Black WPP	1	
8	Allen screw M10x70mm	5	
9	Wheel base / no wheels	1	
10	Wheel	2	
11	M10 Lock nut	5	
12	Stainless washer	6	
13	Plastitescrew 5 x 20mm	6	
14	Plastitescrew 5 x 20mm	4	
15	Stainless washer 6x24x2	4	
16	Rubber gasket Ø25	4	
17	Handles Black	2	
18	Bag retainer for bajonet	1	
19	Tapping screw M5 x 32	2	
20	Stainless hose hook	1	
21	M8 Nut	2	
22	M8 – Closed	2	
23	Stainless handle	1	
24	Position bolt Ø6 GN822.1-6	2	
25	Wheel base grey RAL7031	1	
26	Wheel	2	
27	Starlock	2	
28	Wheel Axel	1	
29	Machine screw M6x16, inox	4	
30	Washer 18x6,4x1,6, inox	4	
31	M6 Lock nut, inox	4	



ЦИКЛЕВОЧНАЯ
КОМПАНИЯ
WWW.1PARKET.RU
+7 (495) 545-25-85

Bona®